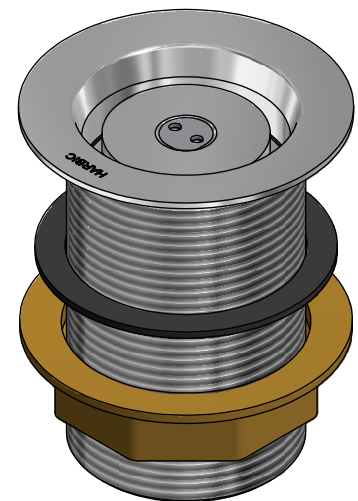
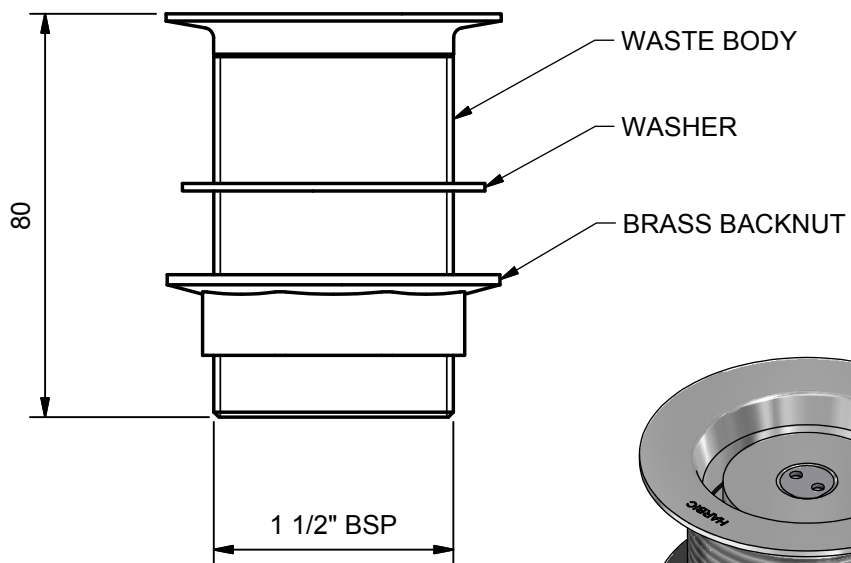


Note:

Special Manufacture
30 Working Days From Receipt
of Order.



FEATURES

- Durable Brass Construction
- Concealed Waterway
- Snake Eye Security Screw
- Brass Backnut

PRODUCT SPECIFICATION

Bath (or Sink) waste shall incorporate vandal resistant grate with concealed waterway. Waste shall be of Brass construction. Grate design shall prevent it's use as an anchoring point, will not allow objects to be hidden from view within the waste pipe, and will prevent any rotational movement.

Waste shall be Security Bath Waste Code: PWSR4080CP from Ramtaps Pty. Ltd. Phone: 07 3633 6000.

CODE

Chrome - PWSR4080CP



RAMTAPS PTY. LTD.
556 Curtin Ave. East. Eagle Farm 4009.
Ph. (07) 3633 6000. Fax (07) 3633 6050.

Title

40 X 80 SECURITY WASTE 80mm
TAIL, BRASS BACKNUT & WASHER

Code:

PWSR4080CP

Edition

01

Date of Issue:

20/03/2018

As part of Ramtaps commitment to quality products, Ramtaps reserves the right to alter the design or specification of it's products without notice.

© 2009 All dimensions in mm.
This drawing remains the property of Ramtaps and should not be copied or distributed without Ramtaps consent.